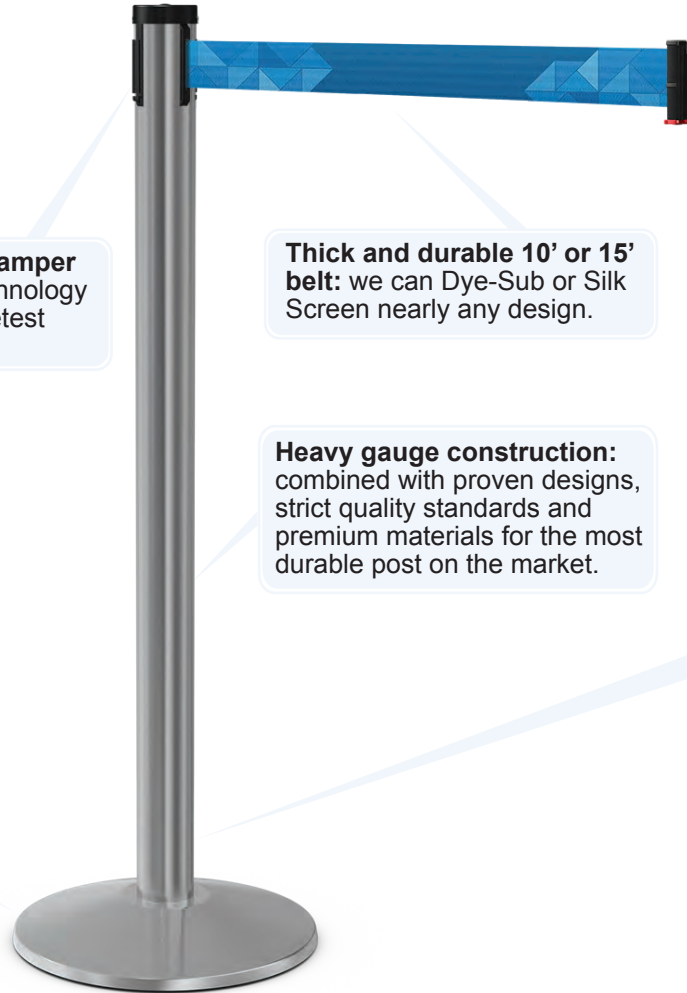


Featured Product: Single Line Post



The Industry Leading Stanchion: Available in 10' or 15' Belt Lengths

Your search for the 'right post' ends here. The tried and true **RETRACTA-BELT®** is found all over the world in airports, casinos, universities, museums, hospitals, theme parks, stadiums and major retail chains. **RETRACTA-BELT®** stanchions are proudly **manufactured in the USA** and have proven for decades to be the safest and most durable post on the market.



Strong and slow rotary damper brake: with E-Z Back® Technology creates the safest and quietest post on the market.

Thick and durable 10' or 15' belt: we can Dye-Sub or Silk Screen nearly any design.

Heavy gauge construction: combined with proven designs, strict quality standards and premium materials for the most durable post on the market.

Built-in rubber floor protectors: ensure long lasting scuff protection.

Universal belt end:

- ▶ Works with nearly every stanchion.
- ▶ Locks to prevent accidental release.

Featuring Exclusive EVERstraight® Technology



- ▶ **Large diameter threaded steel base connection ensures the post remains straight for its lifetime.**
- ▶ Heavy cast iron base keeps the post in place.

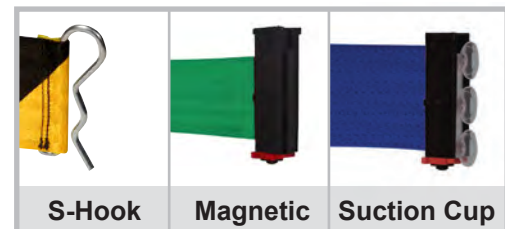
Additional Features

- ▶ **Ten year warranty.**
- ▶ Built-in sign attachment so there's no need for costly adapters.
- ▶ Available in four heavy gauge materials and hundreds of finishes.
- ▶ Easy assembly, no tools required.

Options & Upgrades

- ▶ Scuff resistant black ABS or matching metal base cover.
- ▶ 30 lbs. base for added stability.
- ▶ Wheels for easy transportation.
- ▶ Knocked-Down shipping.
- ▶ Weather-Protection.
- ▶ **MINI-SOCKET, MAGNETIC, REMOVABLE** or **FIXED** bases for added versatility.

Belt End Upgrades



S-Hook

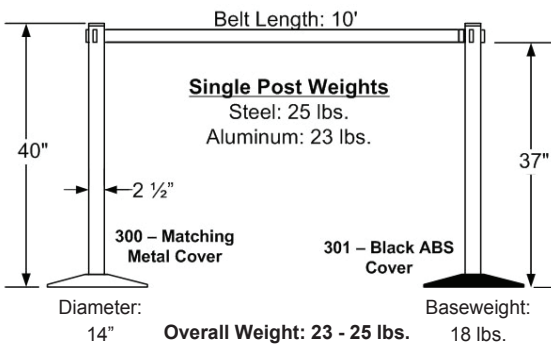
Magnetic

Suction Cup

Specs	
Post Material	Alum, PVC, Steel, Stainless Steel or Brass
Base Cover Material	ABS, Steel, Stainless Steel or Brass
Baseweight Material	18 lbs. Cast Iron w/ Floor Protectors
Post Diameter	2.5" (3.25" head on 320 Model)
Base Diameter	14"
Overall Post Height	40"
Overall Weight	23 - 27 lbs.

Finish	Head Color on 15' Models
Class 1	Matches Post
Class 2 - 4, BA, YA, PSB, PYW, PRD, PWH	Black
SC, SS [^] , SASS [^] , SA [^]	Satin Chrome
PC, PAPC, PA [^]	Polished Chrome

[^]A black head will be substituted on weatherproofed 15' Models



To Order Specify:
320 **SASS** - **GN**
 MODEL# FINISH BELT COLOR

Stock Finishes

	Black Aluminum BA ☁		Black Plastic PSB* ☁
	Yellow Aluminum YA ☁		Yellow Plastic PYW* ☁
	Polished Aluminum PA*/PAPC** ☁		Red Plastic PRD* ☁
	Satin Aluminum SA*/SASS** ☁		White Plastic PWH* ☁
	Satin Stainless Steel SS ☁		

☁ Can be weatherproofed for exterior use
 * 301 and 321 Models
 ** 300 and 320 Models

Matching metal base cover is not available on BA, YA, PYW, PRD, PSB, or PWH.
 A scuff resistant black ABS base cover is standard on these finishes.

Specialty Finishes

Class 1: Powder Coat over Steel Posts¹

	Smooth Black SB		Green GN
	Wrinkle Black WB		Blue BL
	Charcoal CH		Brown BN
	Grey GY		Beige BG
	White WH		Silver Vein SV
	Red RD		Gold Vein GV



Class 2: Plating over Steel²

	Polished Chrome Plated PC
	Satin Chrome Plated SC
	Polished Brass Plated PB2
	Satin Brass Plated SB2
	Statuary Bronze Plated SBZ2

Class 3: Solid Brass²

	Polished Brass w/ Clear Coat PB3 ☁
	Satin Brass w/ Clear Coat SB3 ☁
	Statuary Bronze w/ Clear Coat SBZ3 ☁

☁ Can be weatherproofed for exterior use

Class 4:³

Wood, Marble, Camouflage, etc.



- Class 1 specialty finishes require a minimum order of 5 pieces and a 2-3 week lead time.
- Class 2 & 3 specialty finishes require a minimum order of 15 pieces and a 5-7 week lead time.
- Class 4 specialty finishes are sublimated order coat over steel. Various patterns such as wood grain, marble and camouflage are available. Call for details.

Call if quicker delivery is needed.

Standard Belt Options

	Black BK		Green GN
	Grey GR		Dark Green DG
	White WH		Light Blue LB
	Brown BN		Blue BL
	Maroon MN		Dark Blue DB
	Red RD		Purple PL
	Orange OR		Fluorescent Yellow FY
	Yellow YW		Fluorescent Orange FO
			Black/White Stripe BW

Specialty Belt Options (Double Sided)

	Black/Yellow Diagonal BYD
	Red/White Diagonal RWD
	Magenta/Yellow Diagonal MYD
	THIS Lane Closed TLC
	Caution-Do Not Enter CAU
	Danger-Keep Out DKO
	No Entry NE
	Authorized Access Only AAO

Custom Dye-Sub Belt Samples



Dye-Sub is not intended for prolonged exposure to UV.

Due to printing limitations, colors shown may not represent actual product colors. Please call for samples if required.