

## Easily installed sockets that keep your queue in place with minimal surface impact to your floors.

The **MINI-SOCKET** mount can be installed in a wide range of floor materials and depths.  
Most **RETRACTA-BELT**® posts can be configured with this mount.



### Small Socket, Big Advantages

#### 7/8" diameter socket:

- ▶ Only requires a **15/16" x 2" deep hole** versus a 4" x 6" deep hole for standard floor sockets.
- ▶ **Accommodates thinner floors** where larger, deeper sockets can't be installed.
- ▶ Flush-mounted and **more visually appealing** on the floor surface when posts are removed than standard sockets.

#### Simple and quick installation:

- ▶ Takes approximately **10 minutes to install** each socket.
- ▶ **Save money** on installation labor costs compared to other permanent/semi-permanent stanchions.
- ▶ Neat installation, clean results.

#### Works with a variety of floors:

- ▶ Ideal for cement, terrazzo, tile, and granite.
- ▶ Multiple anchor options **accommodate different floor depths, materials and conditions.**



\*Also available upon request  
in Conventional Posts.



*Post leans 10 degrees to  
absorb accidental impact.*

### Safe For Your Customers And Your Floors

- ▶ **Internal spring-loaded assembly:** allows the post to lean about 10 degrees in any direction, so it absorbs impact from accidental abuse such as carts.
- ▶ **Nylon disc:** protects end of the post and floor surface from getting damaged due to post movement.
- ▶ **Rotates 350 degrees:** so you can align your belts
- ▶ **Posts remove easily from the socket:** making floor maintenance easy.

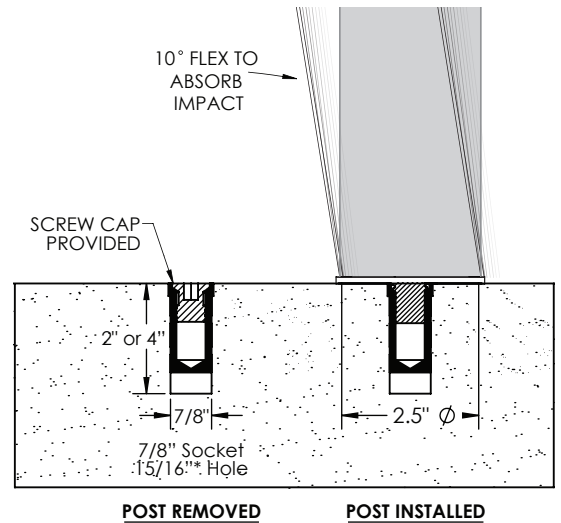
## Standard Anchor:

- ▶ 7/8" OD x 1-7/8" depth
- ▶ Internally threaded with 5/8-11 threads
- ▶ Includes threaded cap
- ▶ Installed with epoxy (not included)

## Other anchors are available to suit your floor requirements:

- ▶ 7/8" OD x 3-7/8" depth
- ▶ Flange socket for carpet installation

Custom anchors available. Call for details.



## Installation Instructions

1. Lay out socket locations.
2. Drill 15/16" hole approximately 2" deep for 2" sockets or 4" deep for 4" sockets.
3. Clean and inject epoxy into hole.
4. Insert anchor flush with floor and allow epoxy to cure.

For assistance with queue layout, please contact us.  
 Contact us for detailed instructions before attempting installation.  
 Professional installation is recommended but not required.



Visit [www.visiontron.com](http://www.visiontron.com)  
 or scan the QR code  
 to see video of the  
**MINI-SOCKET** installation.

In addition to the **MINI-SOCKET** base mount, see our other mounting options to choose the best solution for you:

	FIXED	REMOVABLE	MINI-SOCKET	MAGNETIC
<b>Summary</b>				
<b>Installation Type</b>	Permanent Post	Permanent Socket/ Removable Post	Permanent Socket/ Removable Post	Permanent or Semi-Permanent Plate / Removable Post
<b>Standard Installation Method</b>	Post Construction: (3) 0.25" dia. x 2" deep anchors	Pre-construction: Blocking locations before decking is poured, set sockets with concrete after flooring is installed	Post Construction: 0.875" dia. x 2" deep core drill, epoxy socket in place	Post Construction: (3) 0.25" dia. x 2" deep anchors to secure plate
<b>Alternate Installation Methods</b>	N/A	Post Construction: 4" dia. x 6" deep core drill, Set socket with cement	Post Construction: 0.875" dia. x 4.5" deep core drill	Post Construction: Epoxy or VHB Tape to secure plates directly to surface
<b>Est. Post Install Time</b>	15 mins.	45 mins.	10 mins.	15 mins / <5 mins
<b>Install Difficulty</b>	Moderate	Difficult	Easy	Moderate (Screws) Very Easy (Epoxy or VHB Tape)
<b>Minimum Installation Depth</b>	2"	6"	2" Standard Socket 4" Alternate Socket	2" with Anchors 0" with Epoxy or VHB Tape
<b>Footprint of Post (In Use/Removed)</b>	5.5" / N/A	5.5" / 5.5"	2.5" / 0.875"	6" / 5.5"
<b>Rigidity of Post</b>	Rigid	Rigid	Flexible: Spring-loaded up to 10 degrees	Rigid: Magnet decouples with extreme side impact/force
<b>Available Finishes</b>	Limited *	All	All	All
<b>Available Models</b>	10', 15', Dual-Line, Display	10', 15', Dual-Line, Display	10', 15', 30', Dual-Line, Display	10', 15', 30', Dual-Line, Display

\*See price book for finish options