

Featured Product: Model ST620



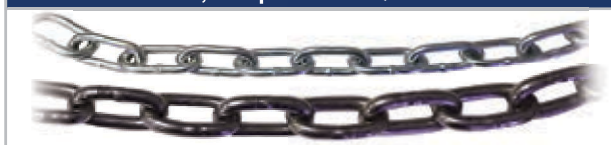
Simple Design. Durable Construction.

- ▷ Fully customizable: choose from two or four loops, single or dual line, and five base options
- ▷ Pair with your choice of chains or ropes
- ▷ Superior welded construction to withstand busy environments and the outdoor elements
- ▷ Ideal for amusement parks and outdoor venues

Fully Welded Loop Construction



Chains, Snap Ends & Quick Links



Chains (from top): 1/8" Zinc Plated (lighter duty), 3/16" Polished Stainless Steel (heavy duty).



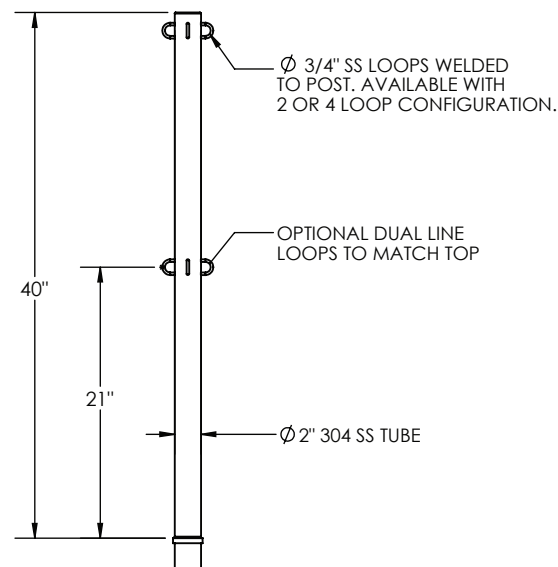
Snap Ends w/ Quick Links: Enables easy removal of chain. Stainless Steel.



Quick Links: Connect pre-cut chains to posts or walls easily.

Specs

Post Material	304 Alloy Stainless Steel
Post Diameter	2"
Overall Post Height	40"
Overall Weight	21 lbs.



Base Options for Loop Post

ST6__ F-SS	ST6__ R-SS		ST6__ MS-SS	ST6__ MG-SS	ST6__ S-SS
FIXED (Permanent Post)	REMOVABLE (Permanent Socket, Removable Post)	SLIM-SOCKET (Permanent Socket, Removable Post)	MINI-SOCKET (Permanent Socket, Removable Post)	MAGNETIC BASE (Permanent - Semi-Permanent)	Sloped Base (Portable)
