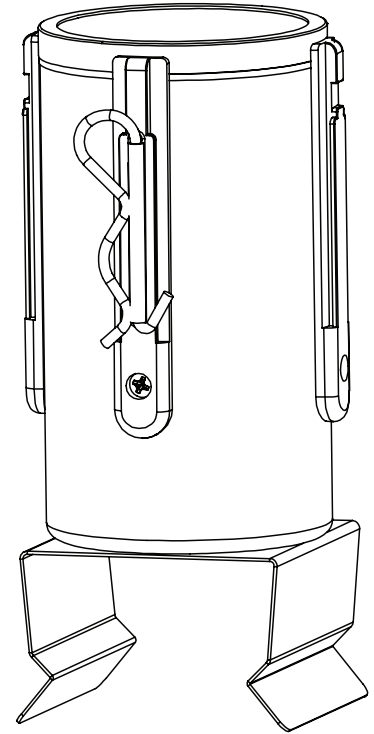


**TOOLS & HARDWARE**

No Tools required



**MOUNTING INSTRUCTIONS**

**1** Align Rack Mount bracket at a 45 degree angle to the rack bar (figure 1). Rotate while pushing the unit down to install.

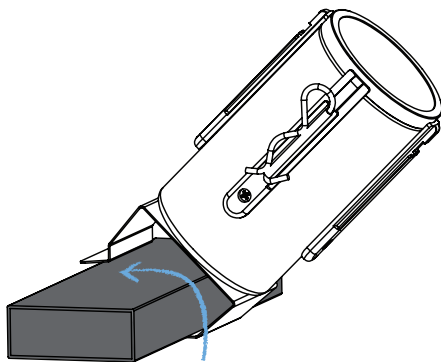


Figure 1

**2** Do NOT push straight down onto rack bar (figure 2).

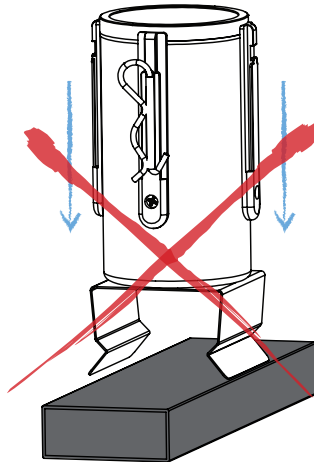


Figure 2

**3** Once unit is mounted on the rack bar, pull the belt straight out across the aisle. (figure 3).

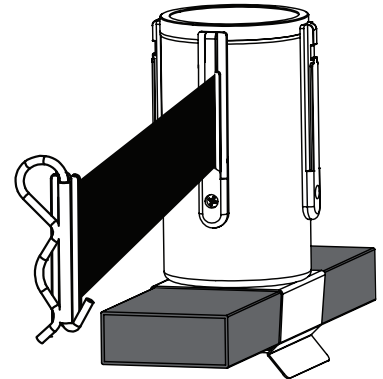


Figure 3

**NEED ASSISTANCE? PLEASE CALL  
A PEOPLE GUIDANCE PRO AT 631-582-8600**

