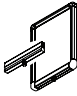




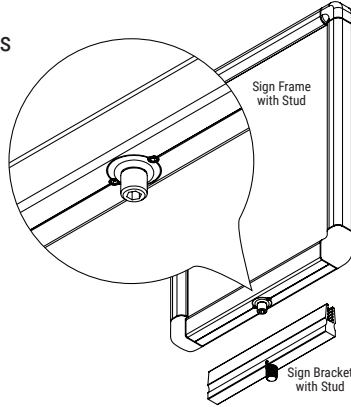


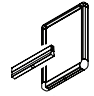





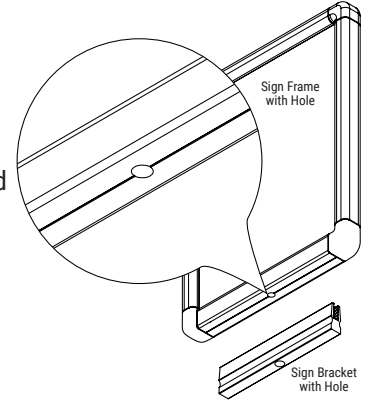
RETROFIT FRAME ADAPTER KIT INCLUDES:

-  (1) "Screw-in" Designer Series Sign Frame or Sign Bracket with 1/8-27" Stud
-  (1) Universal Adapter Cone with factory-installed steel washer and foam insert (Model SFAC)
-  (1) 1/8-27 threaded nut
-  (2) Nylon Washers
-  (1) Threadlocker Tube



FRAME ADAPTER KIT INCLUDES:

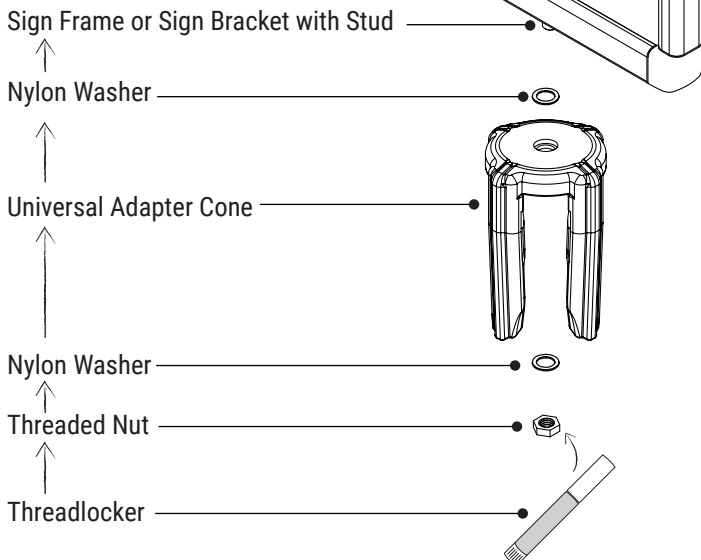
-  (1) Designer Series Frame or Sign Bracket with 3/8-16" Hole
-  (1) Universal Adapter Cone with factory-installed steel washer and foam insert (Model SFAC)
-  (1) 3/8"-16 x 3/4" Screw
-  (1) 7/32" Allen Key



RETROFIT ADAPTER KIT ASSEMBLY INSTRUCTIONS

**9/16" SOCKET WRENCH
REQUIRED (NOT INCLUDED)**

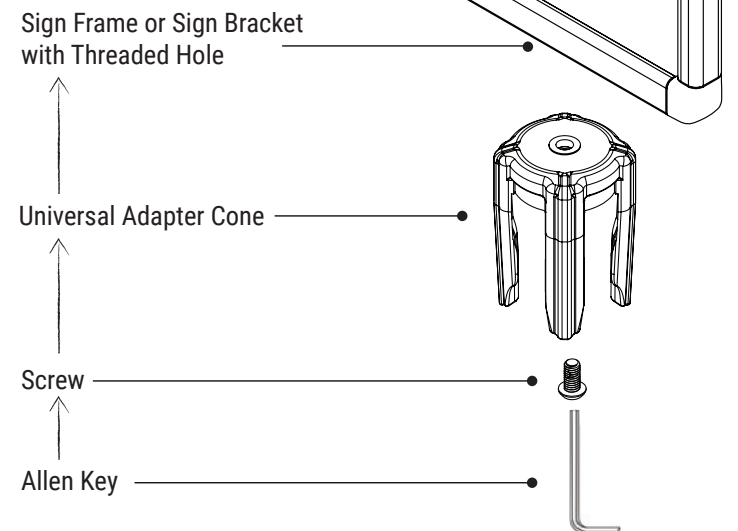
1. Apply a generous amount of threadlocker to the inside of the threaded nut.
2. Using a Socket Wrench, assemble the cone to the Sign Frame or Sign Bracket (not shown) in this order:



2. Tighten until snug. The frame should rotate for orientation when installed on the post.

FRAME ADAPTER KIT ASSEMBLY INSTRUCTIONS

1. Using the provided Allen Key, assemble the cone to the Sign Frame or Sign Bracket (not shown) in this order:



2. Tighten until snug. The frame should rotate for orientation when installed on the post.