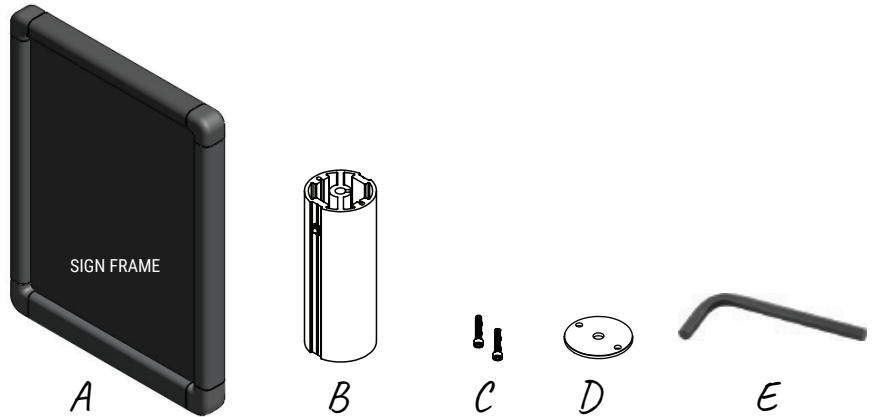


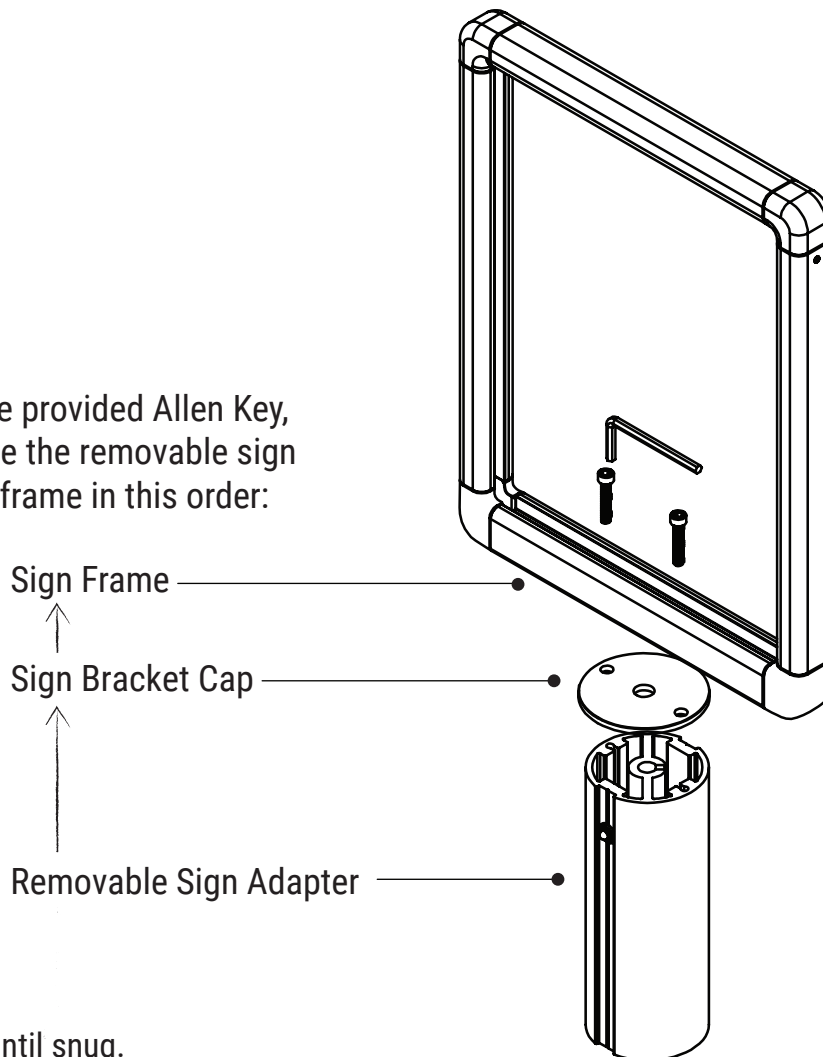
**KIT INCLUDES**

- A. (1) Designer Series Sign Frame
- B. (1) Removable Sign Adapter
- C. (2) #10 24 x 1" Screws
- D. (1) Sign Bracket Cap
- E. (1) 5/32" Allen Key



**ASSEMBLY INSTRUCTIONS**

1. Using the provided Allen Key, assemble the removable sign adapter frame in this order:



2. Tighten until snug.

