



**KIT INCLUDES**



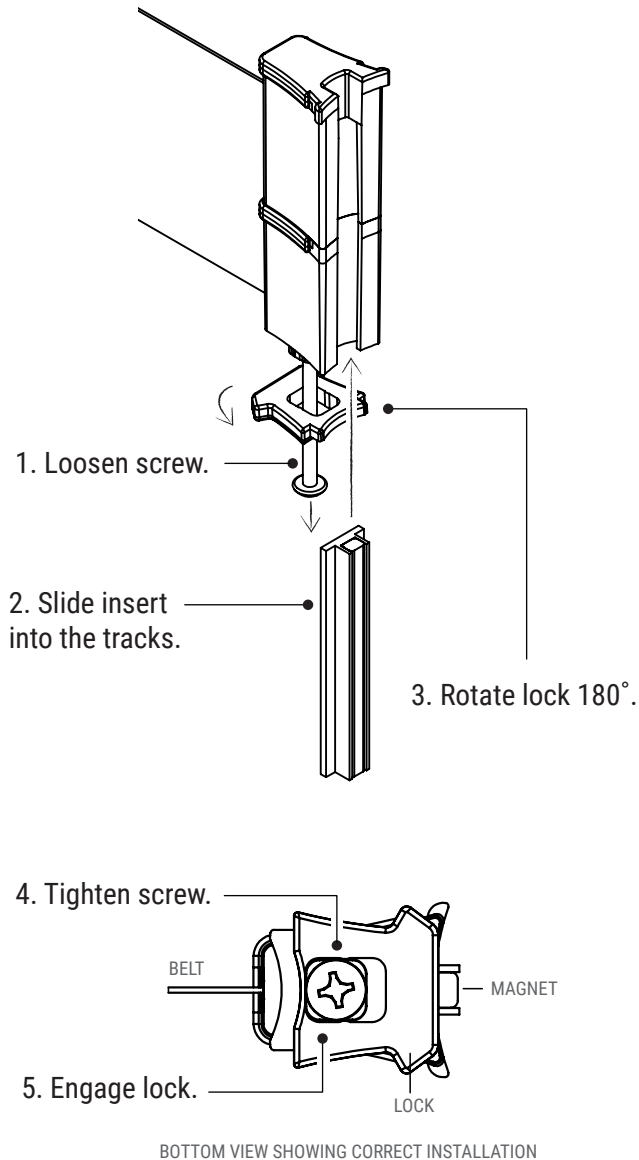
(1) Magnetic Breakaway Belt End Insert  
Follow "A" steps below.

You will need a  
Philips Head Screw Driver  
(NOT INCLUDED)



(1) Magnetic Clip Adapter  
Follow "B" steps below.

**A: MAGNETIC BELT END**



**B: MAGNETIC RECEIVING END**

