

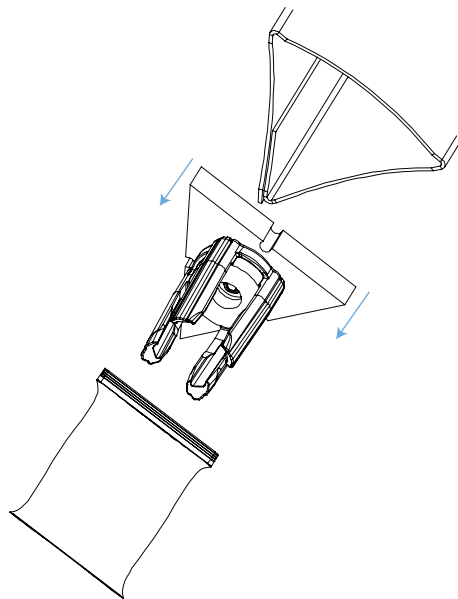


PARTS INCLUDED

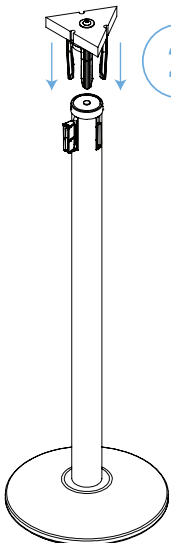
- (3) 1/4-20 x 1" thumb screws
- (1) Adapter cone with foam triangle
- (1) 3-Sided stanchion cover

ASSEMBLY INSTRUCTIONS

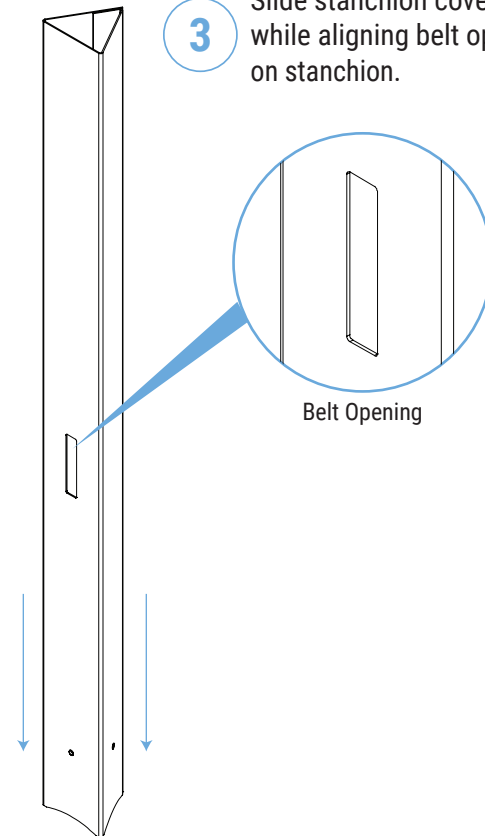
1 Remove adapter cone attached to foam triangle and hardware bag from inside of stanchion cover.



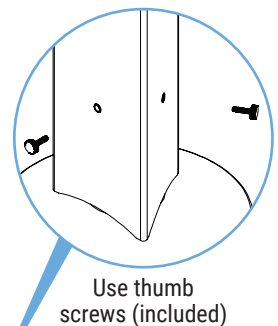
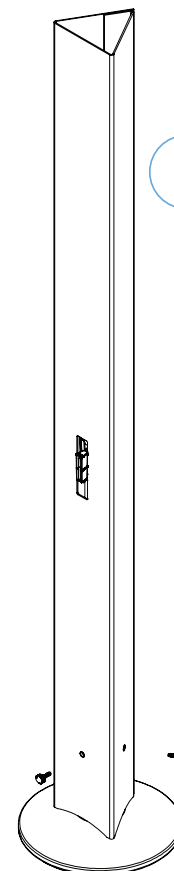
2 Attach adapter cone to stanchion top.



3 Slide stanchion cover over stanchion while aligning belt opening with belt on stanchion.



4 Tighten thumb screws evenly to center the bottom of the stanchion cover on the stanchion.



Do not over-tighten screws!