







TOOLS & HARDWARE

Included

-  #1/4-20 x 5/8" Phillips head screws (6x)
-  #1/4" split lock washer (6x)

Not included

-  Phillips head screwdriver
-  Credit Card (no payment required)

STEP 1: ATTACH SIDES TO BASE

1. Slide side uprights over blocks on base.
2. Install screws with lock washers by hand.
3. Leave the screws loose for next steps.

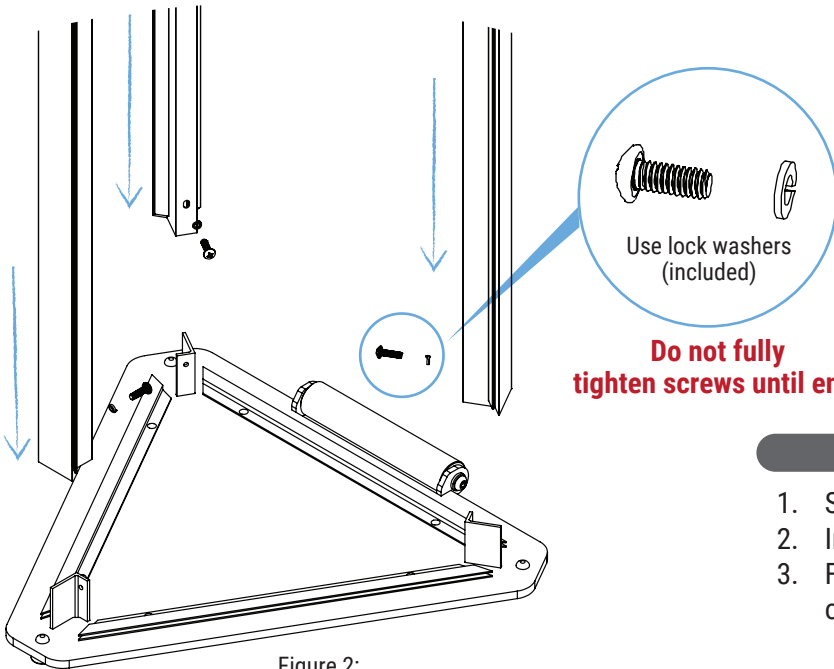


Figure 2:
Base Assembly

STEP 2: LAY ASSEMBLY ON ITS SIDE

1. Lay assembly from Step 1 on its side.

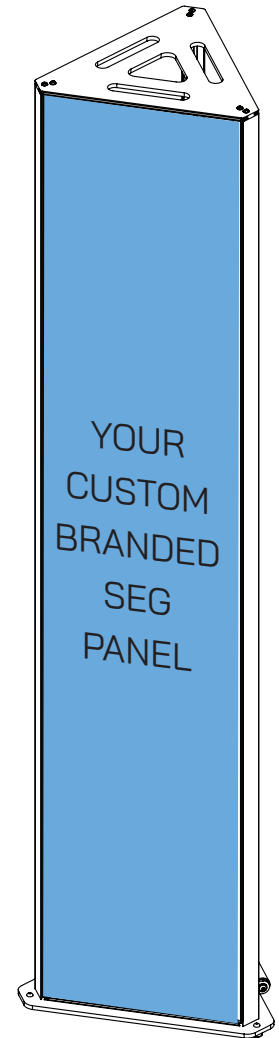
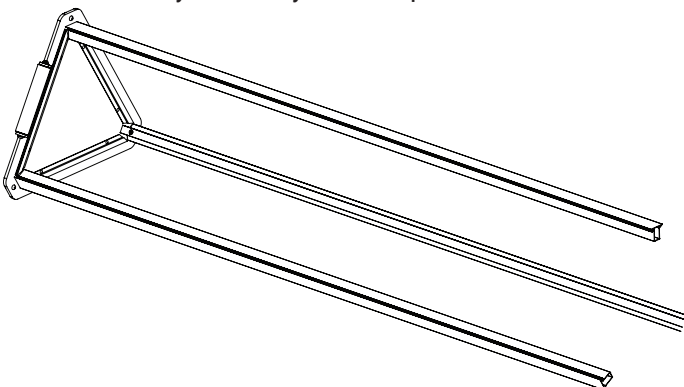


Figure 1:
SEG assembly with
art panels.

STEP 3: ATTACH TOP CAP TO SIDES

1. Slide top cap blocks into side uprights.
2. Install screws with lock washers.
3. Fully tighten top and bottom screws with screwdriver or screw gun.

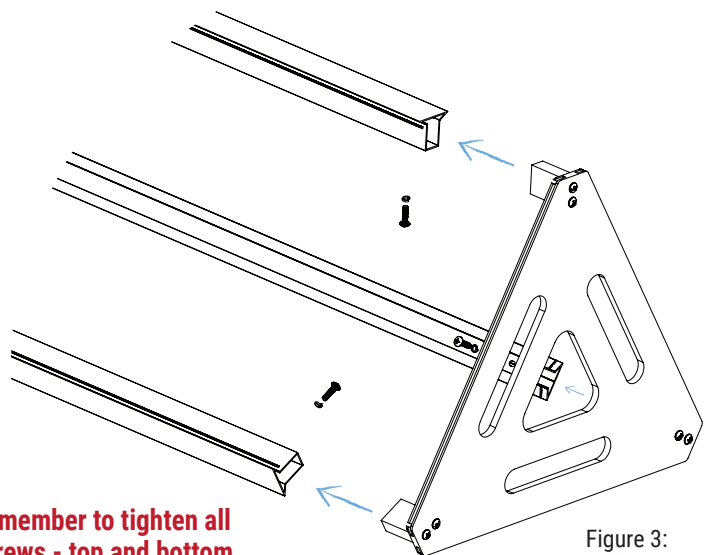
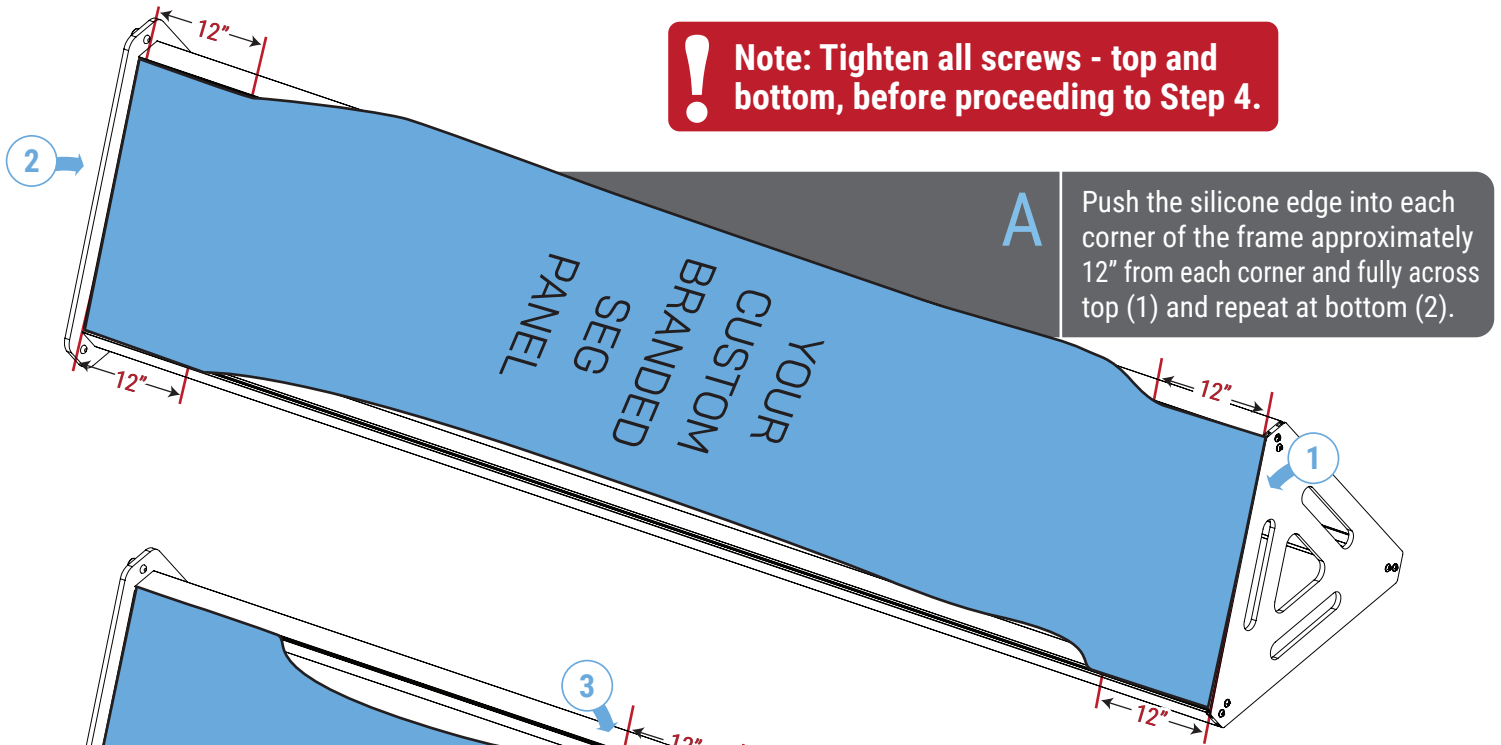


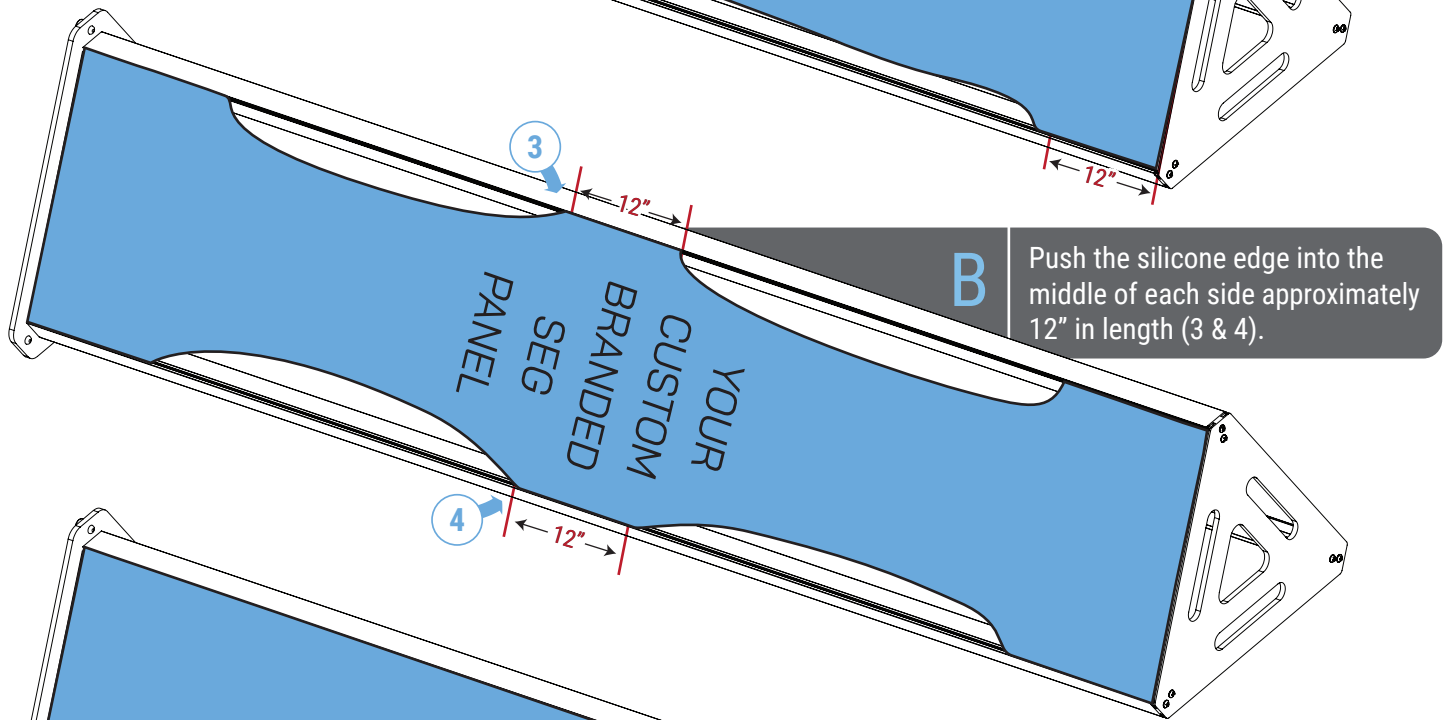
Figure 3:
Top Cap Assembly

STEP 4: ATTACH THE SEG PANELS TO FULLY ASSEMBLED FRAME

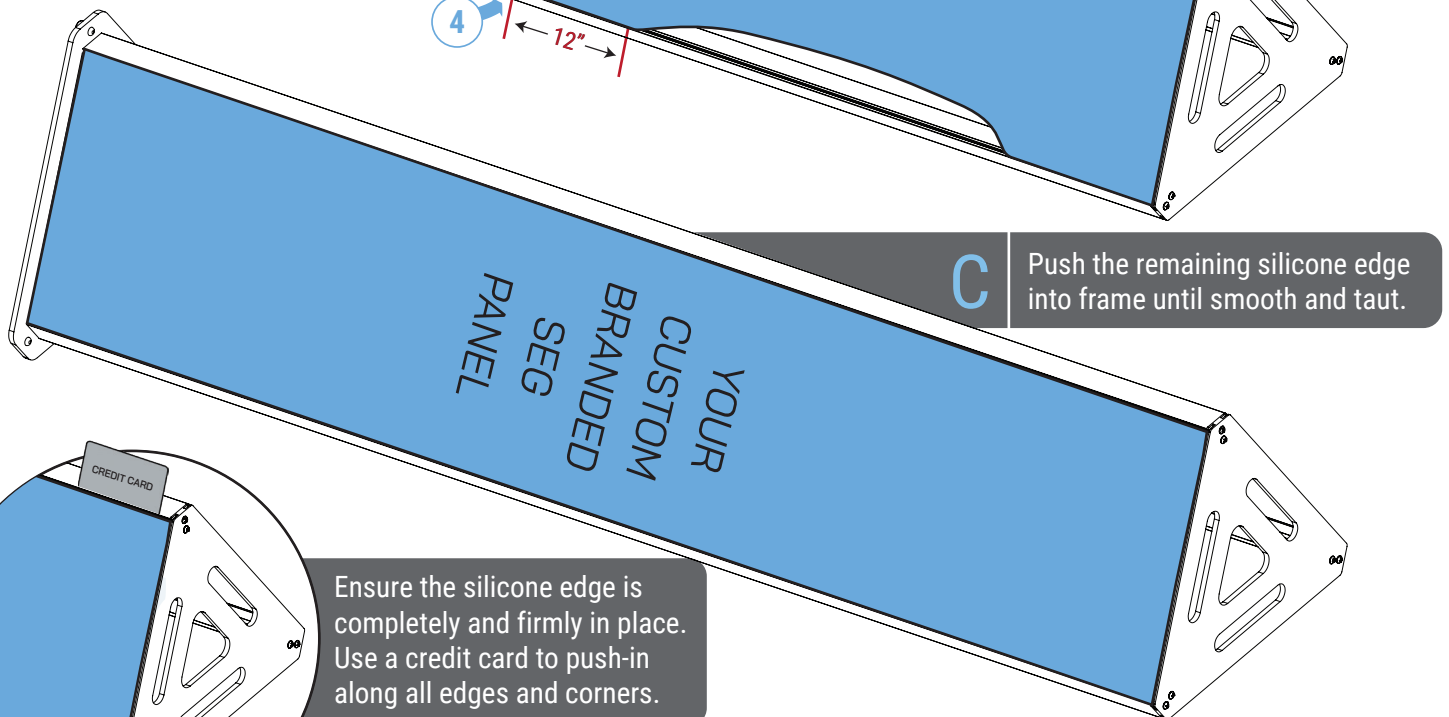
! Note: Tighten all screws - top and bottom, before proceeding to Step 4.



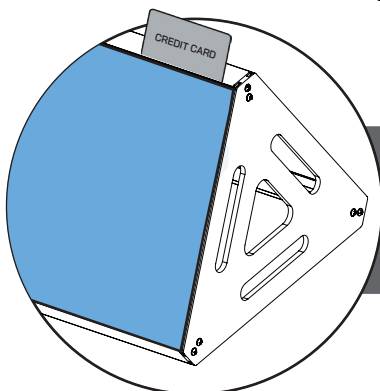
A Push the silicone edge into each corner of the frame approximately 12" from each corner and fully across top (1) and repeat at bottom (2).



B Push the silicone edge into the middle of each side approximately 12" in length (3 & 4).



C Push the remaining silicone edge into frame until smooth and taut.



Ensure the silicone edge is completely and firmly in place. Use a credit card to push-in along all edges and corners.

NEED ASSISTANCE? PLEASE CALL
A PEOPLE GUIDANCE PRO AT **631-582-8600**.