



TOOLS & HARDWARE

- 5/32" Allen key
- #6-32 Pan Head Screws (4x)
- #6 Washer (4x)
- 1/4"-20 Pan Head Screws (6x)
- 1/4" Washer (6x)
- #2 Phillips Head Screwdriver *not included*

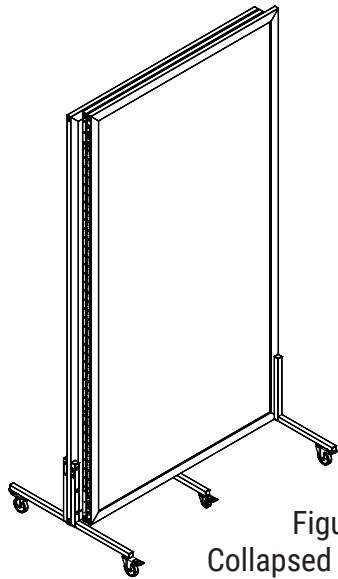


Figure 1:
Collapsed Rolling Wall

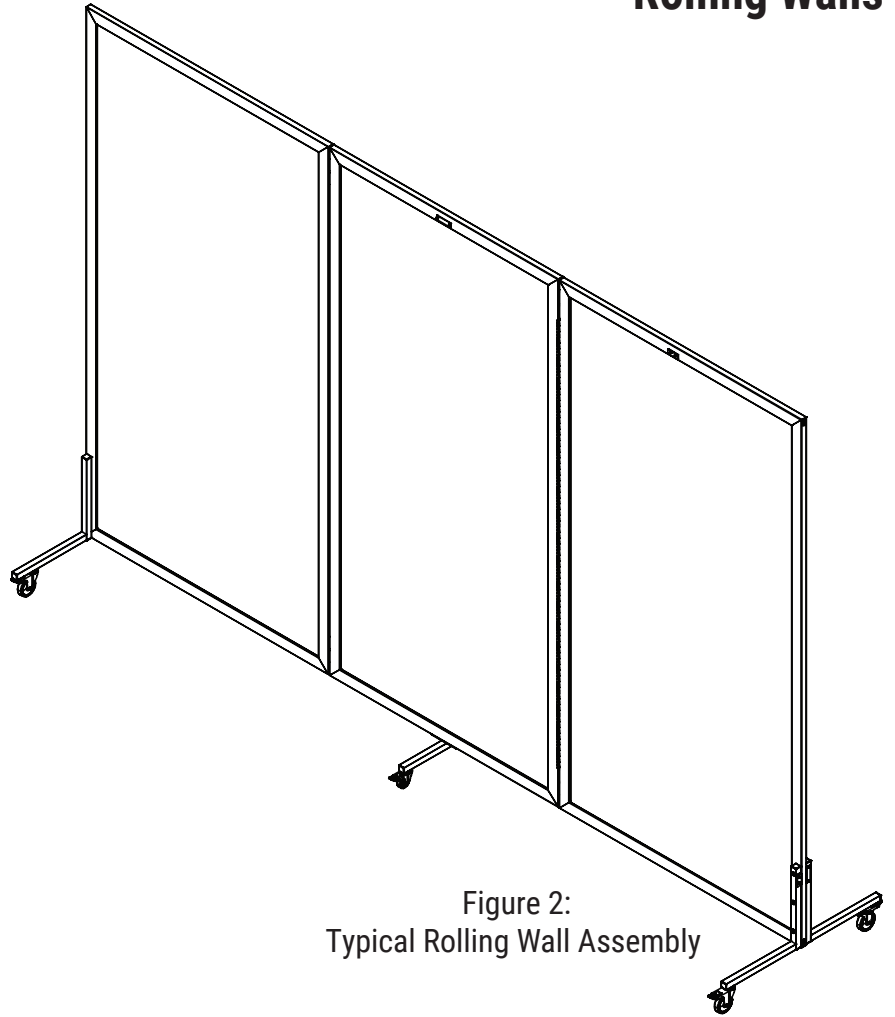
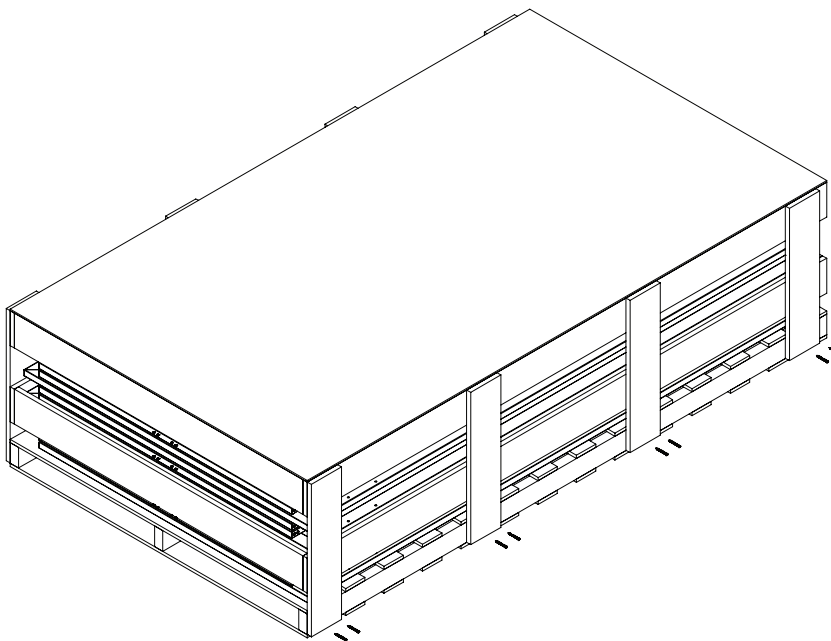
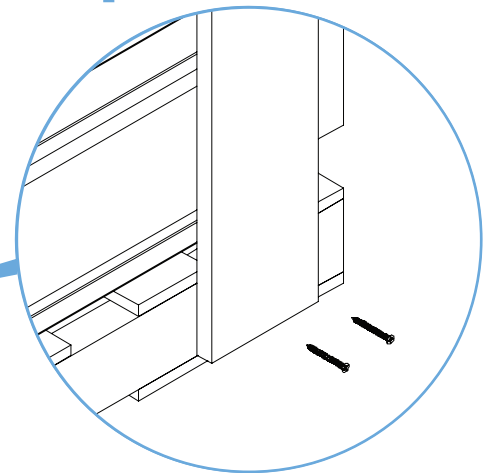


Figure 2:
Typical Rolling Wall Assembly

ASSEMBLY INSTRUCTIONS



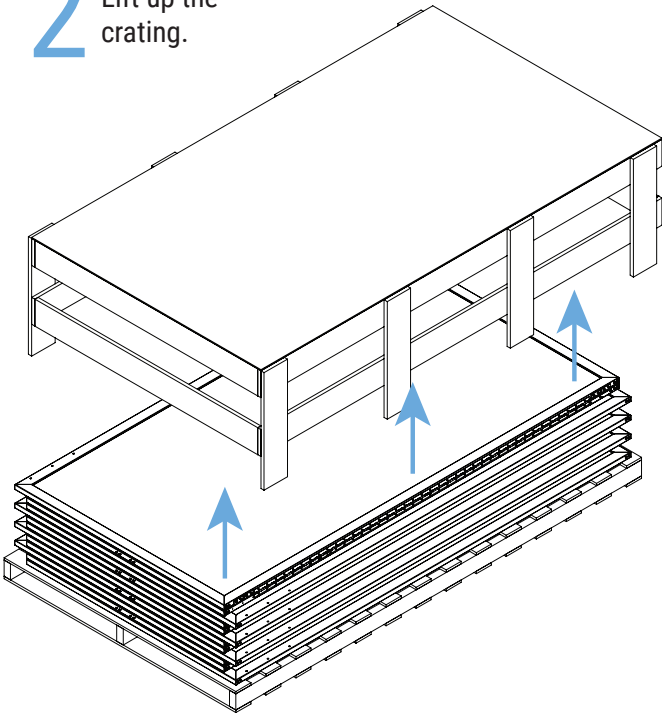
- 1** Remove bottom row of screws **ONLY**. 8 screws per side.



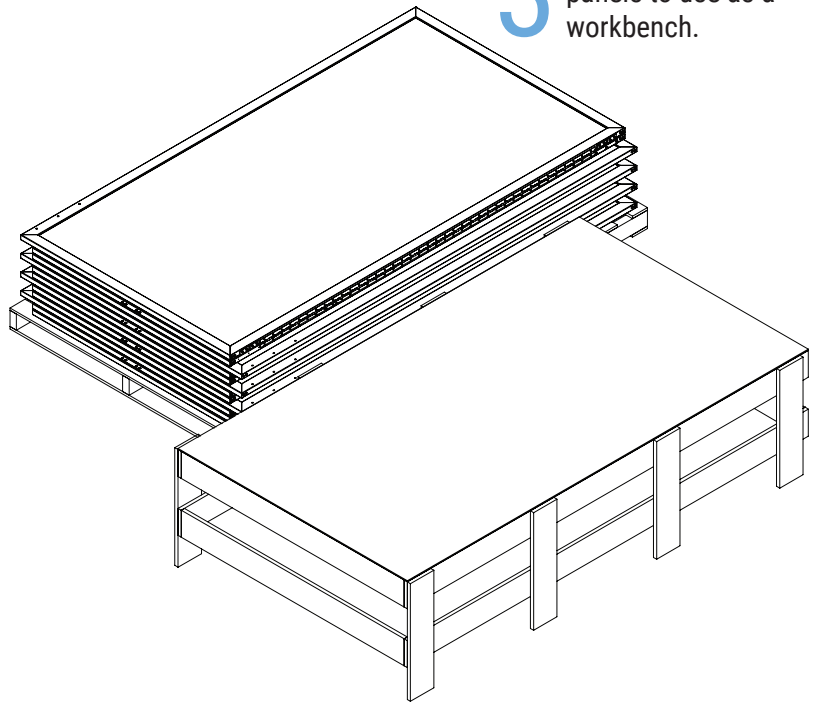
SHOULD YOU REQUIRE ASSISTANCE,
PLEASE CALL A PEOPLE GUIDANCE PRO AT **631-582-8600**.

ASSEMBLY INSTRUCTIONS CONTINUED

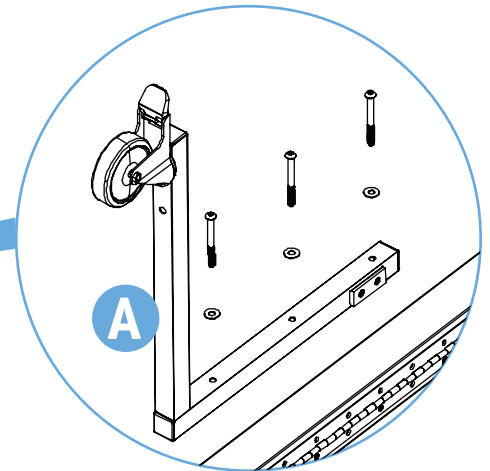
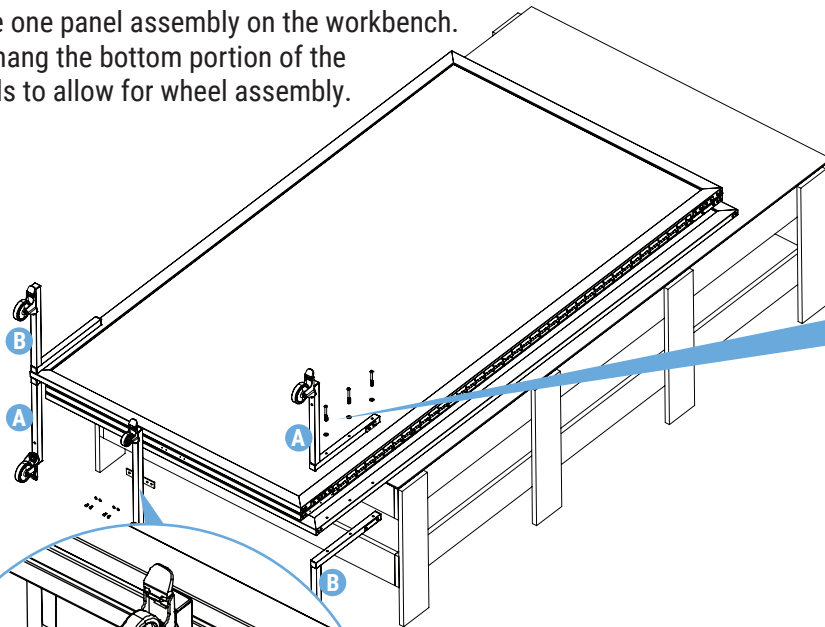
2 Lift up the crating.



3 Place next to the panels to use as a workbench.

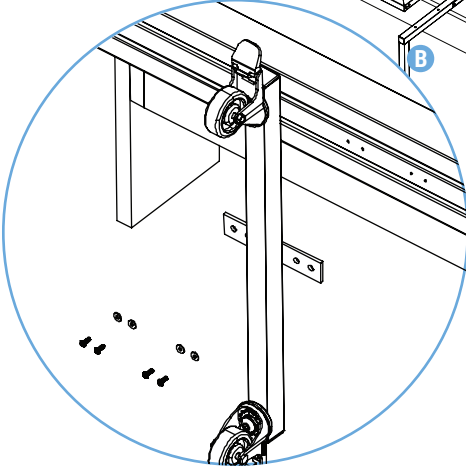


4 Place one panel assembly on the workbench. Overhang the bottom portion of the panels to allow for wheel assembly.



5 Attach Side Wheel A and B using three ¼"-20 x 2.5" screws and washers with Allen Key*.

6 Attach the bottom wheels using the #6-32 x ½" screws and washers with #2 Phillips head screwdriver*.



Do not use power tools to fasten hardware. Use provided tools.