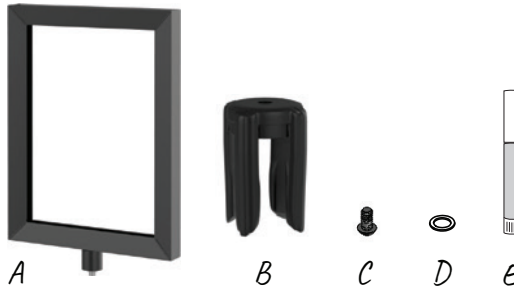


**KIT INCLUDES**

- A. (1) PRIME Heavy Duty Sign Frame
- B. (1) Universal Adapter Cone with factory-installed steel washer and foam insert (Model SFAC)
- C. (1) 3/8"-16 x 3/4" Screw
- D. (1) 3/4" Metal Washer
- E. (1) Threadlocker Tube

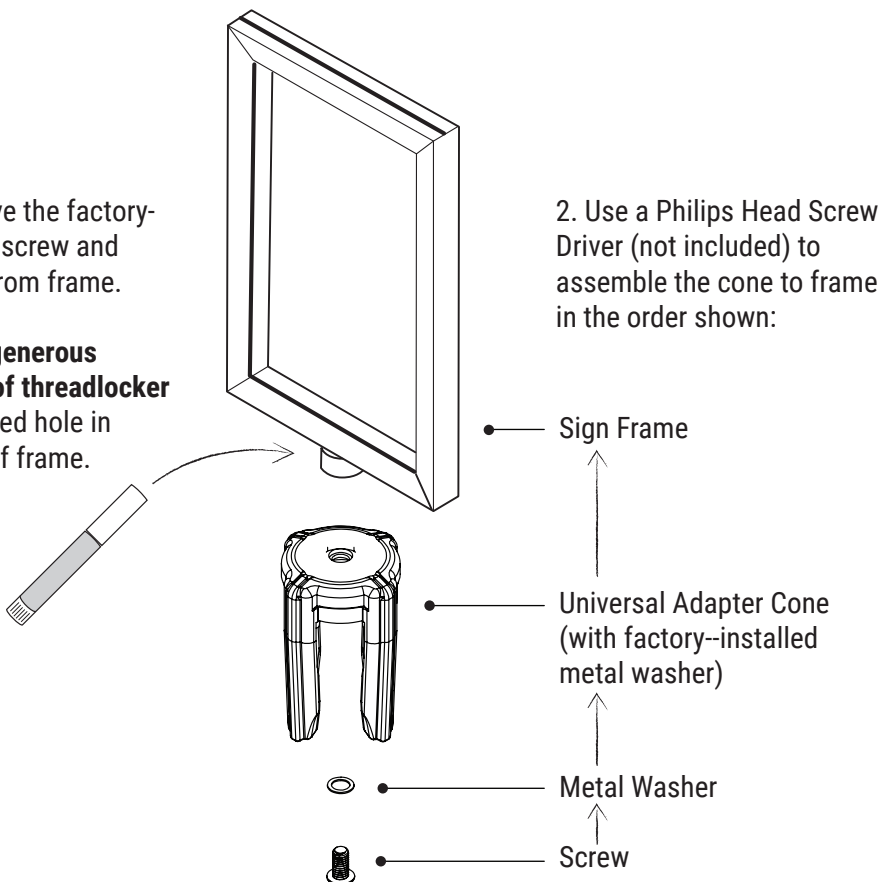


You will need a  
Philips Head Screw Driver  
(NOT INCLUDED)

**ASSEMBLY INSTRUCTIONS**

1. Remove the factory-installed screw and washer from frame.

Apply a **generous amount of threadlocker** to threaded hole in bottom of frame.



2. Use a Philips Head Screw Driver (not included) to assemble the cone to frame in the order shown:

3. Wait 24 hours to allow threadlocker to cure. The frame should rotate without loosening the hardware.



(Shown fully assembled.)