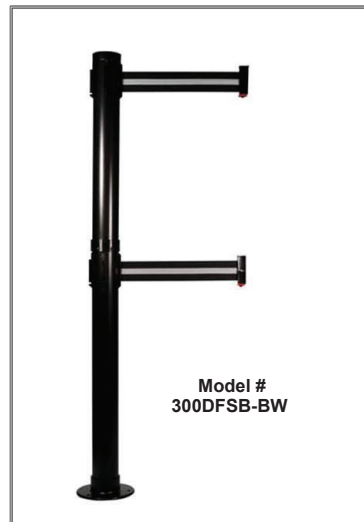
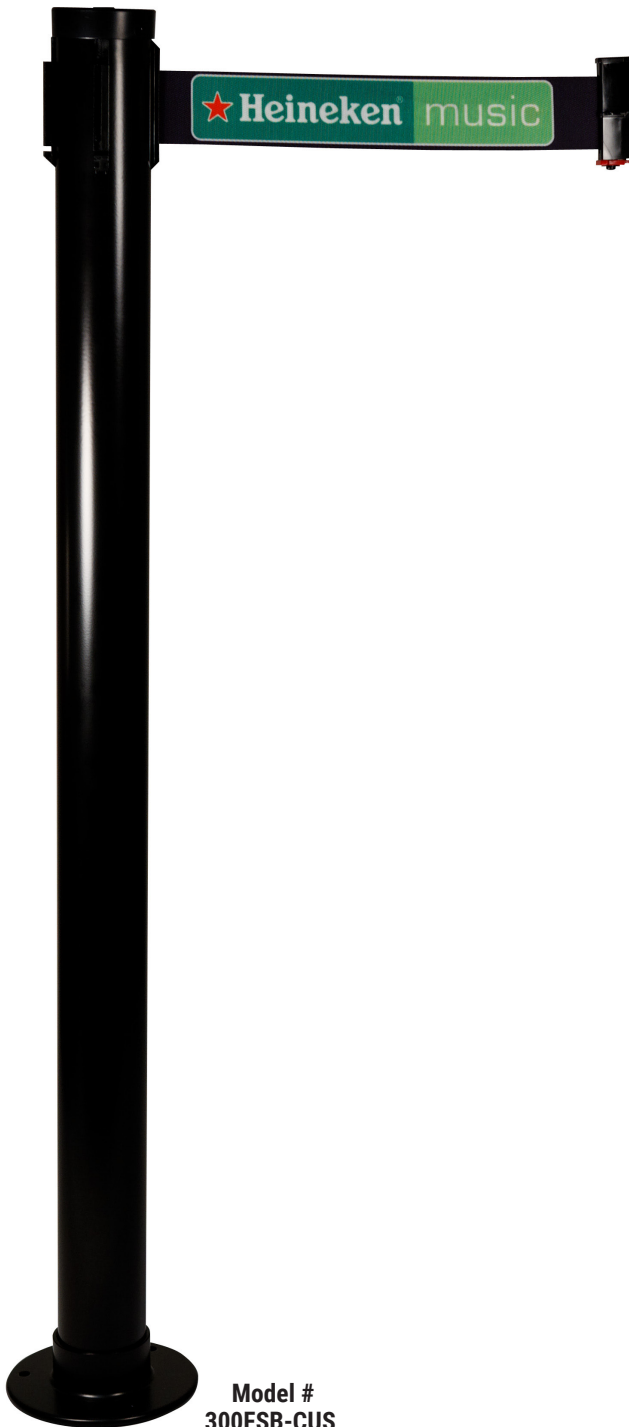


A fully permanent crowd control solution.

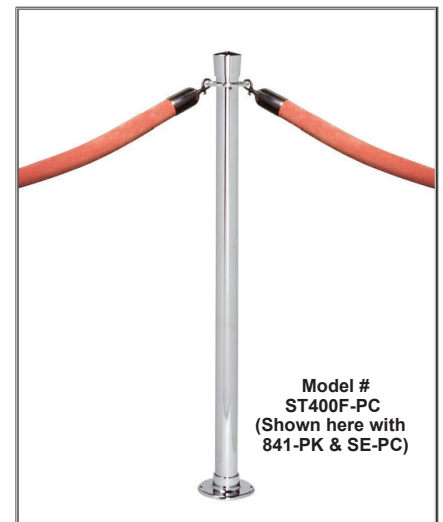
The ideal option for permanently established queue lines – economical and easy to install.

FIXED Mounted Post Features

- ▶ The most economical option in our permanent/ semi-permanent product line.
- ▶ Available in standard 10' or 15' **RETRACTA-BELT®** lengths, ADA-compliant Dual Line posts or display posts.
- ▶ **Easy to install:** requires three screws drilled into the ground (screws not included).
- ▶ **5" diameter base:** ensures a strong, permanently secured attachment to the ground.
- ▶ **Solid connection:** the steel post is welded to the steel base.
- ▶ **Durable:** steel construction throughout.
- ▶ **All parts are easily replaceable:** never need to unscrew the post from the ground for minor repairs or belt changes.
- ▶ **Versatile:** several finishes can be used outdoors.
- ▶ **Built in sign attachments.**
- ▶ **10 year warranty.**

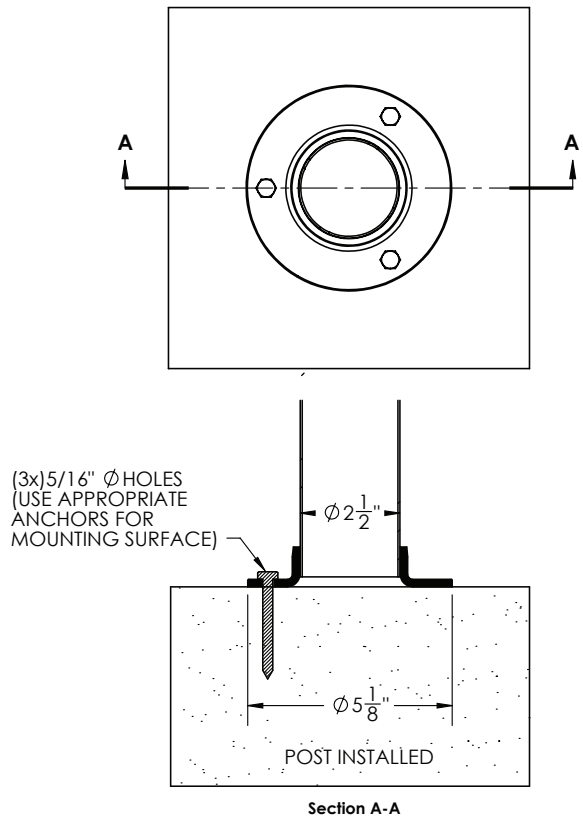


FIXED Mount Dual Line Post



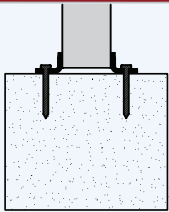
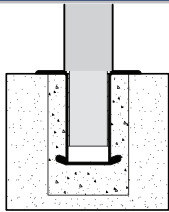
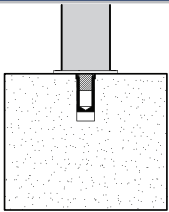
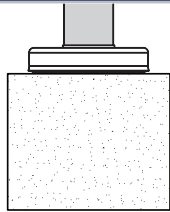
FIXED Mount Conventional Post

1. Determine which floor anchors and hardware are required for your floor.
2. Lay out post locations, spacing the centerlines at least 6" less than belt length (ex: 9'6" or less with 10' belt).
3. Orient your posts with belts facing in the proper direction and mark the three mounting holes locations in the base flange.
4. Drill three mounting holes for floor anchors.
5. Test fit and shim if necessary to plumb the post.
6. Tighten fasteners to secure the post to the floor.



For assistance with queue layout, please contact us.
Professional installation is recommended but not required.

In addition to the **FIXED** base mount, see our other mounting options to choose the best solution for you:

	FIXED	REMOVABLE	MINI-SOCKET	MAGNETIC
Summary	 5" Diameter base flange is permanently secured to flooring with 3 anchors (bolts)	 5" Diameter socket is permanently mounted in flooring. Rigid post is removable when not used	 0.875" Diameter threaded socket is permanently mounted in flooring. Spring-loaded post is removable when not used	 6" Diameter plate is permanently or semi-permanently mounted to flooring. Magnetic base allows post to be removed when not used
Installation Type	Permanent Post	Permanent Socket/ Removable Post	Permanent Socket/ Removable Post	Permanent or Semi-Permanent Plate / Removable Post
Standard Installation Method	Post Construction: (3) 0.25" dia. x 2" deep anchors	Pre-construction: Blocking locations before decking is poured, set sockets with concrete after flooring is installed	Post Construction: 0.875" dia. x 2" deep core drill, epoxy socket in place	Post Construction: (3) 0.25" dia. x 2" deep anchors to secure plate
Alternate Installation Methods	N/A	Post Construction: 4" dia. x 6" deep core drill, Set socket with cement	Post Construction: 0.875" dia. x 4.5" deep core drill	Post Construction: Epoxy or VHB Tape to secure plates directly to surface
Est. Post Install Time	15 mins.	45 mins.	10 mins.	15 mins / <5 mins
Install Difficulty	Moderate	Difficult	Easy	Moderate (Screws) Very Easy (Epoxy or VHB Tape)
Minimum Installation Depth	2"	6"	2" Standard Socket 4" Alternate Socket	2" with Anchors 0" with Epoxy or VHB Tape
Footprint of Post (In Use/Removed)	5.5" / N/A	5.5" / 5.5"	2.5" / 0.875"	6" / 5.5"
Rigidity of Post	Rigid	Rigid	Flexible: Spring-loaded up to 10 degrees	Rigid: Magnet decouples with extreme side impact/force
Available Finishes	Limited *	All	All	All
Available Models	10', 15', Dual-Line, Display	10', 15', Dual-Line, Display	10', 15', 30', Dual-Line, Display	10', 15', 30', Dual-Line, Display

*See price book for finish options