

Featured Product: Model SM6500



Fast setup. Compact storage. Longest span protection.

Specifically designed to assist tarmac boarding and deplaning.

Built-in receiving end: accepts one loop belt end.

Loop belt end: simple yet durable.

Brake included: for a slow and safe belt retraction.

Thick and durable 65' belt: for extremely long span applications. It's the same webbing that's used in all of our **RETRACTA-BELT®** units and proven to outlast the competitor's belt.

Heavy-duty aluminum construction: designed to withstand the outdoor elements and heavy wear and tear.

Lightweight aluminum stand: easy to transport and store.



- ▶ **Compact storage:** folds into an 8" x 8" space.
- ▶ **Quick-deploying legs.**

Model #
SM6500YW-BYD



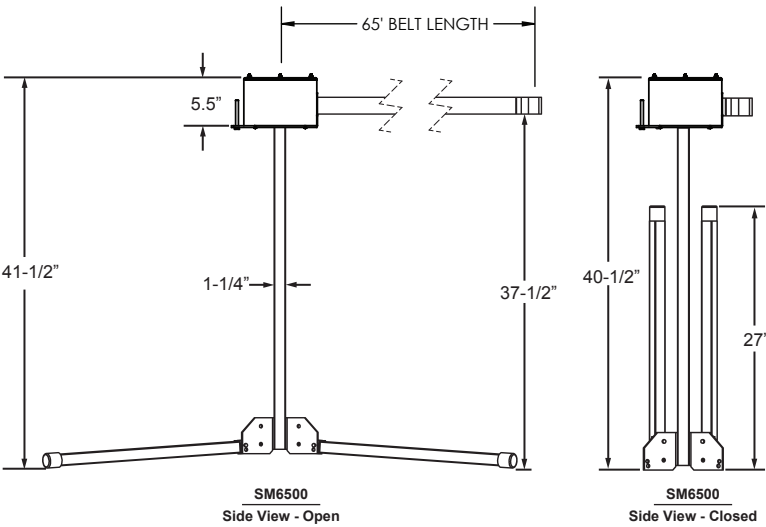
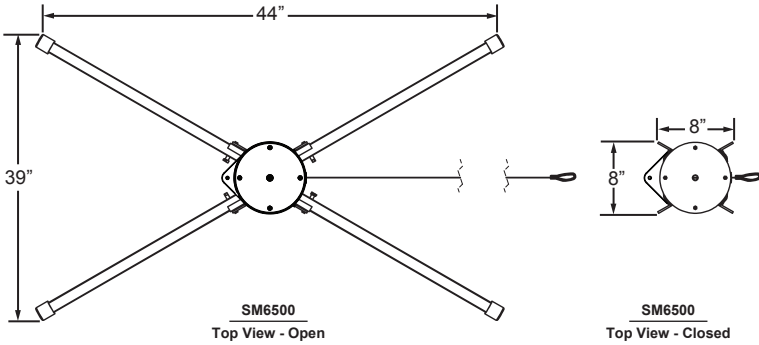
Additional Features

- ▶ 10 year warranty
- ▶ Unlike competitor's products, replacement components are available for on-site repair which eliminates the costly expense of shipping it back to the manufacturer.

Typical Applications

- ▶ Guiding passengers on the tarmac
- ▶ Bus & cruise ship loading
- ▶ Construction sites
- ▶ Closing parking lots
- ▶ Warehouse maintenance and other long span requirements

Specs	
Head Material	Aluminum and Stainless Steel
Head Diameter	8"
Stand Material	Aluminum & Steel (Powder Coated)
Base Dimensions (Open)	39" x 44"
Base Dimension (Closed)	8" x 8"
Overall Stand Height	41.5" (includes head)
Overall Weight	29 lbs.



Belt End Options

- Loop (standard)**
Simple yet durable. Requires Model # RE6500 receiving end (sold separately).
- S-Hook**
Universal S-Hook belt end works without a receiving end. It can wrap around or hook into any suitable object.
- Universal**
Polycarbonate belt end with lock. Requires Model # RE receiving end (sold separately).



Stock Finishes

Stand: Yellow Aluminum YW Black

Ready for outdoor use

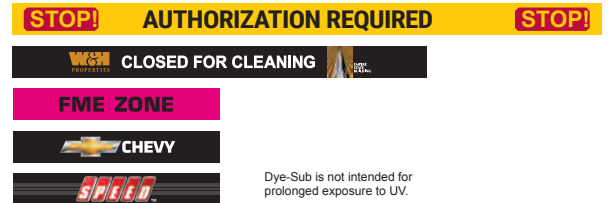
Standard Belt Options

- | | |
|-----------|-----------------------|
| Black BK | Green GN |
| Grey GR | Dark Green DG |
| White WH | Light Blue LB |
| Brown BN | Blue BL |
| Maroon MN | Dark Blue DB |
| Red RD | Purple PL |
| Orange OR | Fluorescent Yellow FY |
| Yellow YW | Fluorescent Orange FO |
| | Black/White Stripe BW |

Specialty Belt Options (Double Sided)

- Black/Yellow Diagonal BYD
- Red/White Diagonal RWD
- Magenta/Yellow Diagonal MYD
- This Lane Closed TLC
- Caution-Do Not Enter CAU
- Danger-Keep Out DKO
- No Entry NE
- Authorized Access Only AAO

Custom Dye-Sub Belt Samples*



**Due to printing limitations, colors shown may not represent actual product colors. Please call for samples if required.*

To Order Specify:
SM6500 **YW** - **BYD**
 MODEL # FINISH BELT COLOR