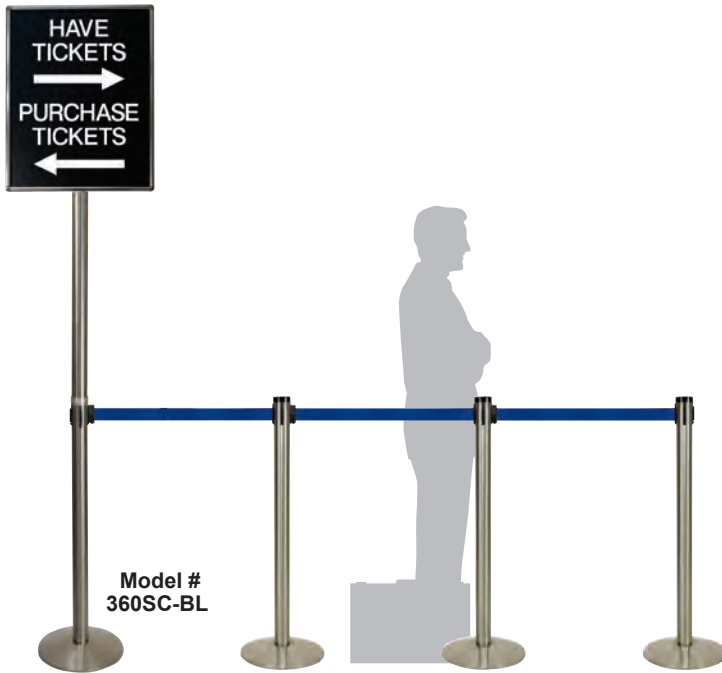


Featured Product: Model 360/361



Get some attention with a sign post that is “head & shoulders” above the rest.

Important messages call for a big display. The **RETRACTA-BELT®** Model 360 is a 6' tall sign post that is perfect for high traffic areas that need a sign “head & shoulders” above the crowd. This unit increases your visibility and makes your messages really stand out so you can direct your customers more effectively.

The **RETRACTA-BELT®** feature allows the sign post to be integrated into queue lines.

Easy Signage Replacement

- ▶ Designed for use with Removable Designer Series Sign Frames for easy sign replacement.



Extra Heavy Baseweight And Wheels

- ▶ **30 lbs. extra heavy baseweight (standard):** ensures stability.
- ▶ **RETRACTA-WHEEL Base (Optional):** convenient wheels for easy setup and transport with no unsightly tripping hazard.



Features:

- ▶ **Increased visibility from further distances.**
- ▶ **10' belt:** 43% longer than comparably priced competitors posts - less posts to buy, ship & store.
- ▶ **2 piece construction:** allows easy on-site maintenance.
- ▶ **High impact polycarbonate material:** greatly increases durability.
- ▶ **Redesigned E-Z Back braking system:** creates the safest post on the market.
- ▶ **10 year warranty.**

Specs	
Post Material	Alum, Steel, Stainless Steel or Brass
Base Cover Material	ABS, Steel, Stainless Steel or Brass
Baseweight Material	30 lbs. Cast Iron w/ Floor Protectors
Post Diameter	2.5"
Base Diameter	14"
Overall Post Height	72"
Overall Weight	41 - 47 lbs.

Stock Finishes	
	Black Aluminum BA ☀️
	Yellow Aluminum YA ☀️
	Polished Aluminum PAPC ☀️
	Satin Aluminum SASS ☀️
	Satin Stainless Steel SS ☀️

☀️ Can be weatherproofed for exterior use

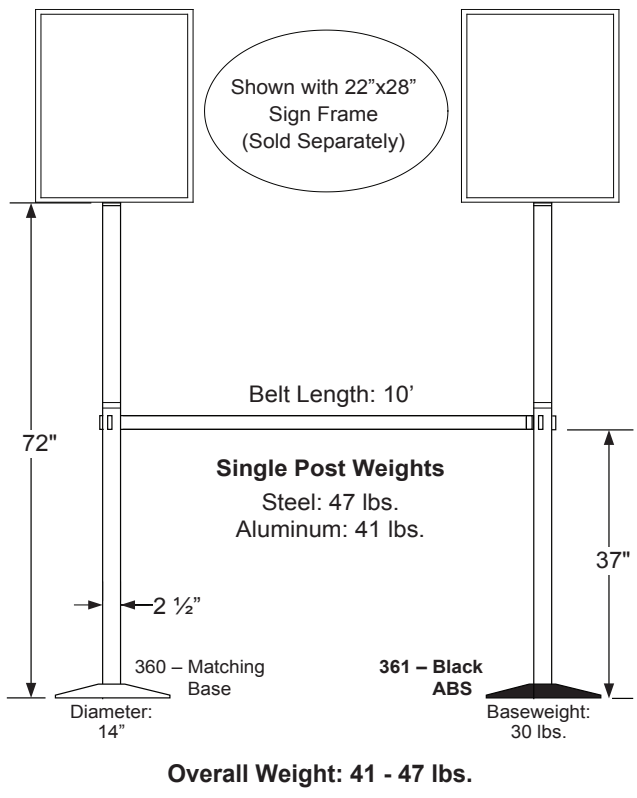
Specialty Finishes	
Class 1: Powder Coat over Steel Posts¹	
	Smooth Black SB
	Wrinkle Black WB
	Charcoal CH
	Grey GY
	White WH
	Red RD
	Green GN
	Blue BL
	Brown BN
	Beige BG
	Silver Vein SV
	Gold Vein GV

200+ RAL colors Available at no additional cost.

Class 2: Plating over Steel²		Class 3: Solid Brass²		Class 4:³ Wood, Marble, Camouflage, etc.
	Polished Chrome Plated PC		Polished Brass w/ Clear Coat PB3 ☀️	
	Satin Chrome Plated SC		Satin Brass w/ Clear Coat SB3 ☀️	
	Polished Brass Plated PB2		Statuary Bronze w/ Clear Coat SBZ3 ☀️	
	Satin Brass Plated SB2		Statuary Bronze Plated SBZ2	

☀️ Can be weatherproofed for exterior use

1. Class 1 specialty finishes require a minimum order of 5 pieces and a 2-3 week lead time.
 2. Class 2 & 3 specialty finishes require a minimum order of 15 pieces and a 5-7 week lead time.
 3. Class 4 specialty finishes are sublimated order coat over steel. Various patterns such as wood grain, marble and camouflage are available. Call for details.
 Call if quicker delivery is needed.



To Order Specify:
360 SC - BL
 MODEL # FINISH BELT COLOR

Standard Belt Options	
	Black BK
	Grey GR
	White WH
	Brown BN
	Maroon MN
	Red RD
	Orange OR
	Yellow YW
	Green GN
	Dark Green DG
	Light Blue LB
	Blue BL
	Dark Blue DB
	Purple PL
	Fluorescent Yellow FY
	Fluorescent Orange FO
	Black/White Stripe BW

Specialty Belt Options (Double Sided)	
	Black/Yellow Diagonal BYD
	Red/White Diagonal RWD
	Magenta/Yellow Diagonal MYD
	This Lane Closed TLC
	Caution-Do Not Enter CAU
	Danger-Keep Out DKO
	No Entry NE
	Authorized Access Only AAO

Custom Dye-Sub Belt Samples

Dye-Sub is not intended for prolonged exposure to UV.

Due to printing limitations, colors shown may not represent actual product colors. Please call for samples if required.