

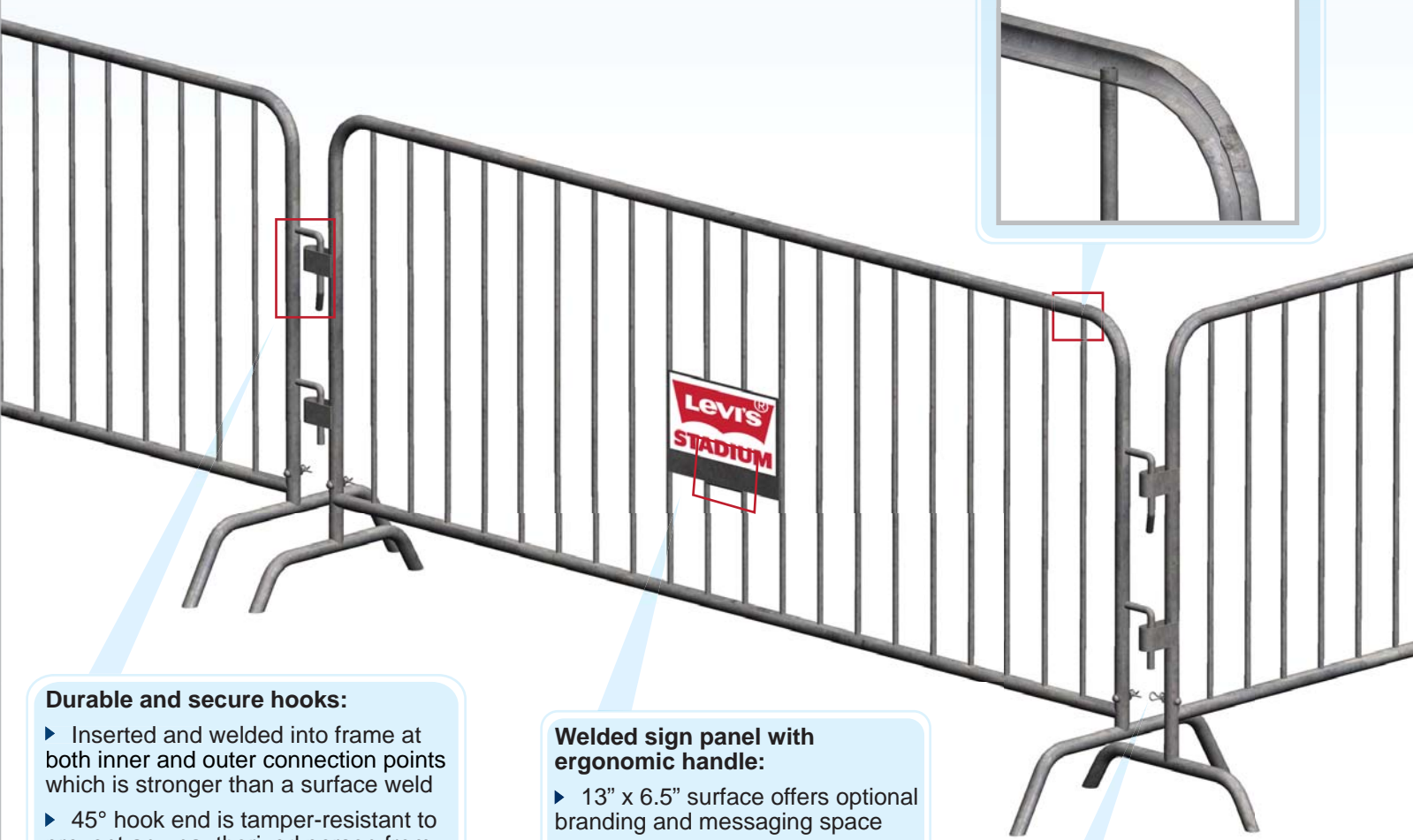
## Featured Product: Model SB650 & SB800

**Durable, secure and weatherproof crowd control barriers**

### Features

- ▶ Hot-dipped galvanized steel for outdoor use
- ▶ 6.5' or 8' length
- ▶ Bridged or flat feet

**Uprights insert into frame before welding:** strong and durable connection resists damage from broken welds



### Durable and secure hooks:

- ▶ Inserted and welded into frame at both inner and outer connection points which is stronger than a surface weld
- ▶ 45° hook end is tamper-resistant to prevent an unauthorized person from lifting and separating the barriers



### Welded sign panel with ergonomic handle:

- ▶ 13" x 6.5" surface offers optional branding and messaging space
- ▶ Additional bar beneath sign panel provides a comfortable and safe carrying handle

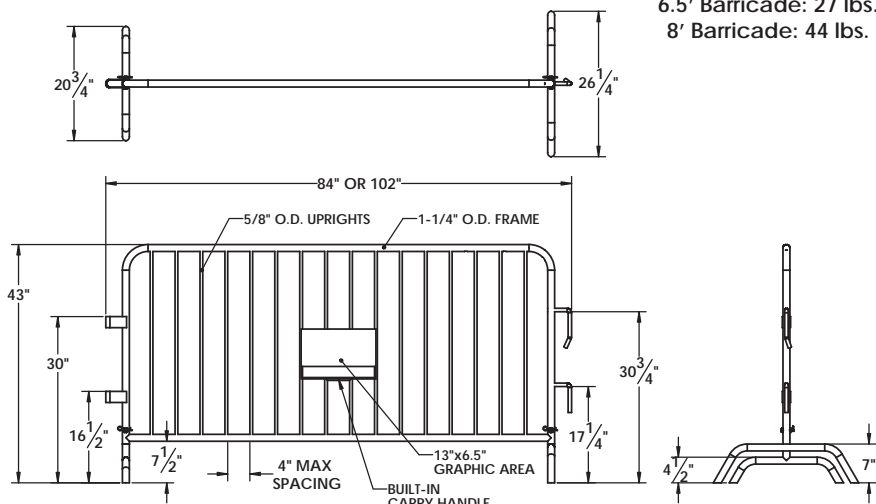


**No tools required to install or remove feet:** easily connect with quick pin and bolt



## Steel Barricade Specs and Feet Options

### Bridged Feet



**6.5' AND 8' STEEL BARRIERS  
BRIDGED FEET**

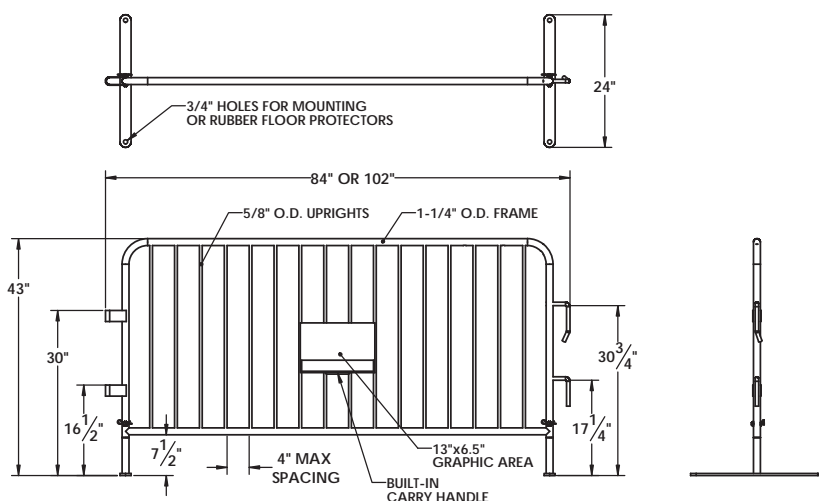
**Overall Weight:**  
6.5' Barricade: 27 lbs.  
8' Barricade: 44 lbs.

Bridged feet provide additional stability on uneven surfaces and in large crowds.

Each set of bridged feet includes one high and one low foot, which allow the units to create right angles without lifting one leg end off the ground.



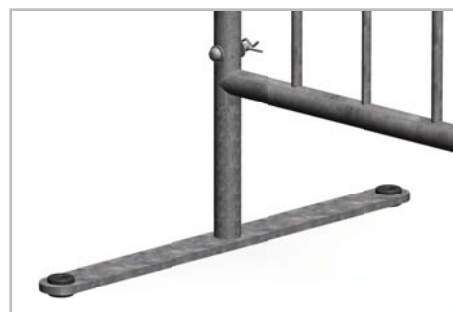
### Flat Feet



**6.5' AND 8' STEEL BARRIERS  
FLAT FEET**

Flat feet reduce tripping hazards and are ideal when Steel Barricades are used on a flat surface.

Two holes in each foot provide space for rubber floor protector pads (sold separately) or allow the unit to be permanently affixed to the ground.



Specs	
Frame Material	Hot-Dipped Galvanized Steel
Feet Material	Hot-Dipped Galvanized Steel
Overall Length	84" or 102"
Overall Height	43"
Overall Weight	6.5' Barricade: 27 lbs. 8' Barricade: 44 lbs.

### Labels for Sign Plate

13" x 6.5" vinyl decals with UV-resistant ink provide space for branding, messaging, or property ID tagging.

